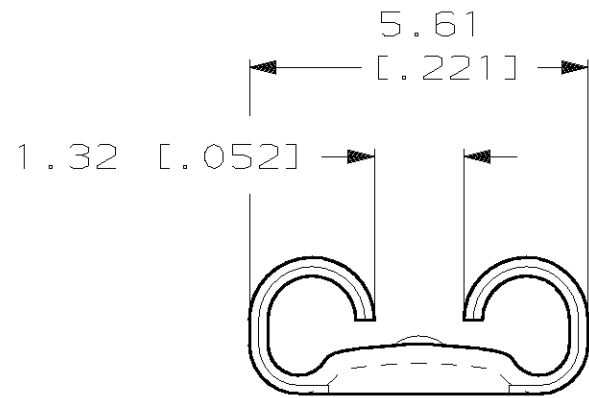
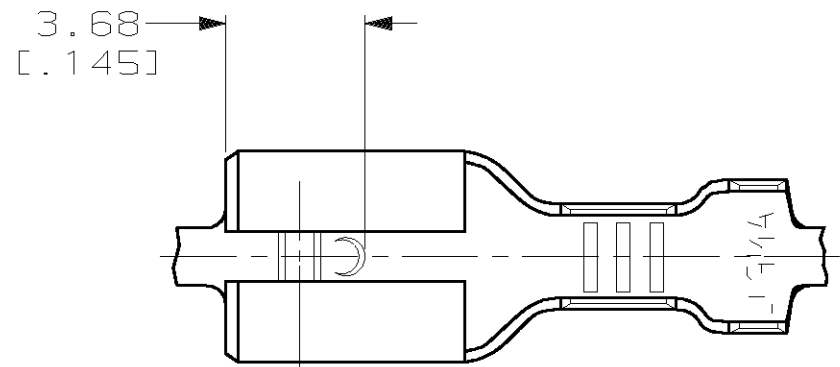


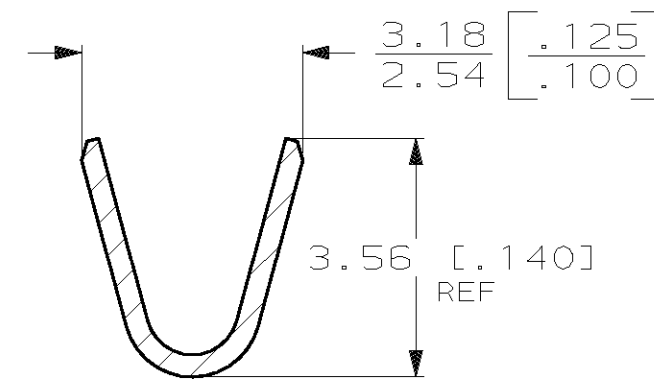
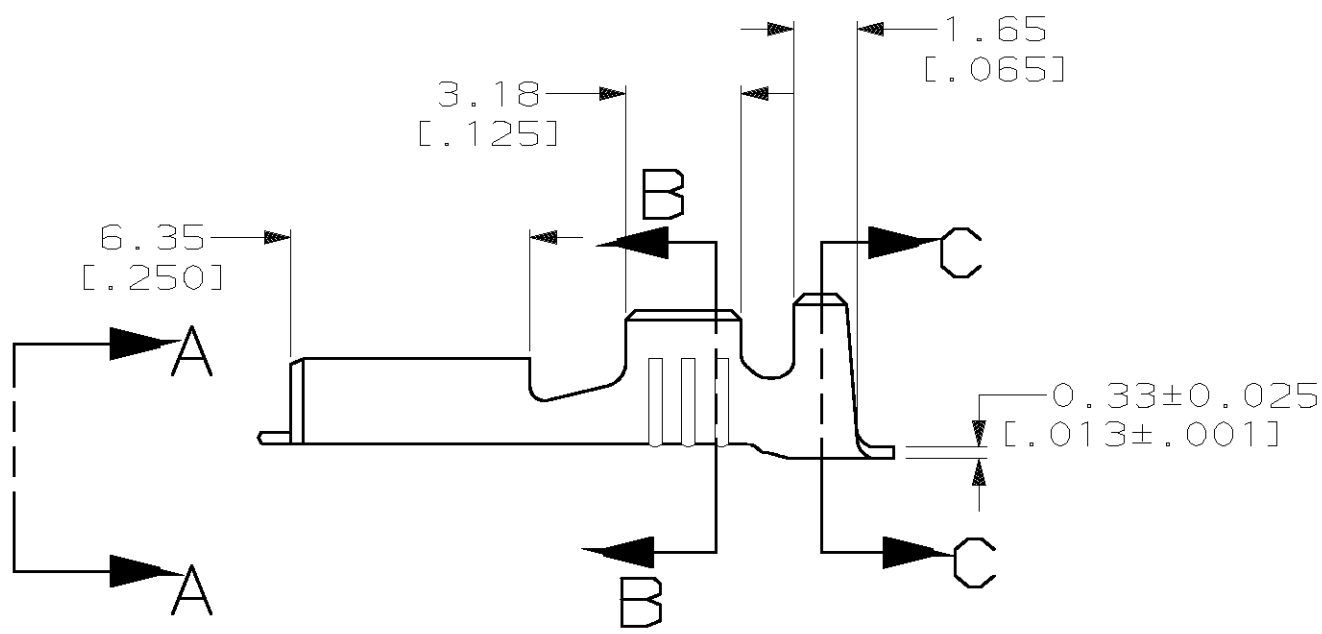
THIS DRAWING IS UNPUBLISHED. RELEASED FOR PUBLICATION, 19
 © COPYRIGHT 19 BY AMP INCORPORATED. ALL INTERNATIONAL RIGHTS RESERVED.

LOC	DIST	P	F	ZONE	LTR	DESCRIPTION	DATE	APPD
AF	50				F	REV PER 063A-0266-00	27APR00	JR/PD

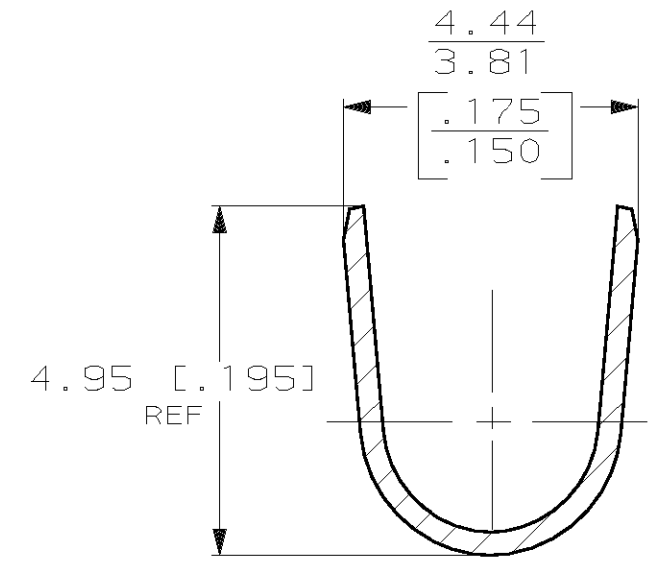
- 1 ACCEPTS WIRE SIZE [#20-#16] AWG.
- 2 INSULATION RANGE IS 2.29-3.30 [.090-.130] DIA.
- 3 CONTINUOUS STRIP ON REELS.



VIEW A-A
SCALE 8:1



SECTION B-B
SCALE 8:1



SECTION C-C
SCALE 8:1

0.002032 [.000080] MIN TIN	0.508±0.025 [.020±.001]	63475-2 63475-1
FINISH	MATING TAB THICKNESS	PART NO
DO NOT SCALE PRINT. UNLESS SPECIFIED DIMENSIONS IN mm [INCHES] TOLERANCES ON: 2 PLC DEC ± 0.25 [.010] 3 PLC DEC ± - ANGLES ± -	DR 11/9/87 JR RUTH CHK 11/10/87 G YETTER APPD 11/10/87 C MEYERS APPD 11/10/87 R KUZO PRODUCT SPEC - APPLICATION SPEC - WEIGHT -	AMP AMP Incorporated Harrisburg, PA 17105-3608
MATERIAL H04 BRASS	FINISH SEE TABLE	NAME RECEPTACLE, LIF, FASTON, 4.75 [.187] SERIES
	SIZE B	CAGE CODE 00779
	SCALE 5:1	DRAWING NO C-63475
		SHEET 1 OF 1

THIS DRAWING IS A CONTROLLED DOCUMENT FOR AMP INCORPORATED. IT IS SUBJECT TO CHANGE AND THE CONTROLLING ENGINEERING ORGANIZATION SHOULD BE CONTACTED FOR THE LATEST REVISION.